

## Compression Load Cells



### FEATURES

- Capacity range: 500, 1K, 2K, 3K, 5K, 10K, 20K, 50K, and 100K lb (227, 454, 907, 1.4K, 2.27K, 4.54K, 9K, 13.6K, 22.7K, and 45.4K kg)
- Environmentally sealed
- Operational: -30° to +175°
- Low deflection
- Compact and rugged
- FM and CSA approved

### DESCRIPTION

C3P1 and C3P2 cells are fabricated with high strength 'ring' type elements to provide an output signal of 3 mV/V at rated capacity. Each cell is designed for minimum deflection and 150% safe overload without damage. C3P2 cells contain a second bridge. The second bridge can be used simultaneously with the first bridge for dual output or be reserved as a backup in case of failure in the first bridge. Double diaphragm fabrication offers precision performance and long term reliability. Low deflection and superior sealing guarantee trouble-free operation.

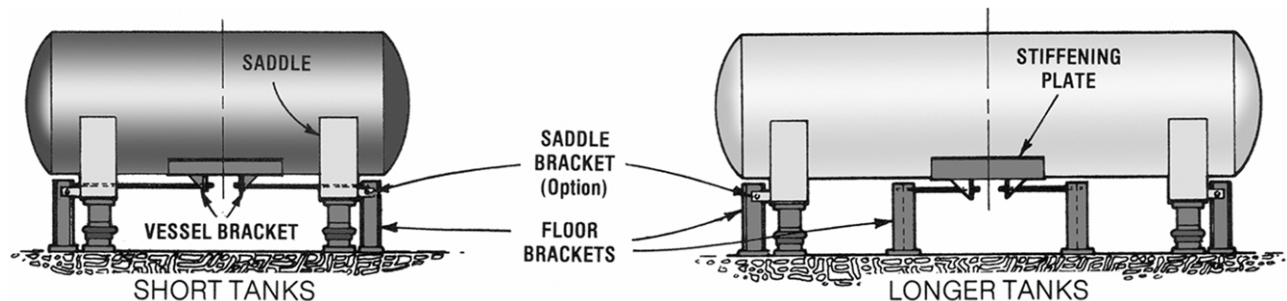
Relatively low mass and small deflection under load, produce excellent frequency re-

sponse. Overall, C3P1/C3P2 cells perform superbly in many environments where other transducers cannot.

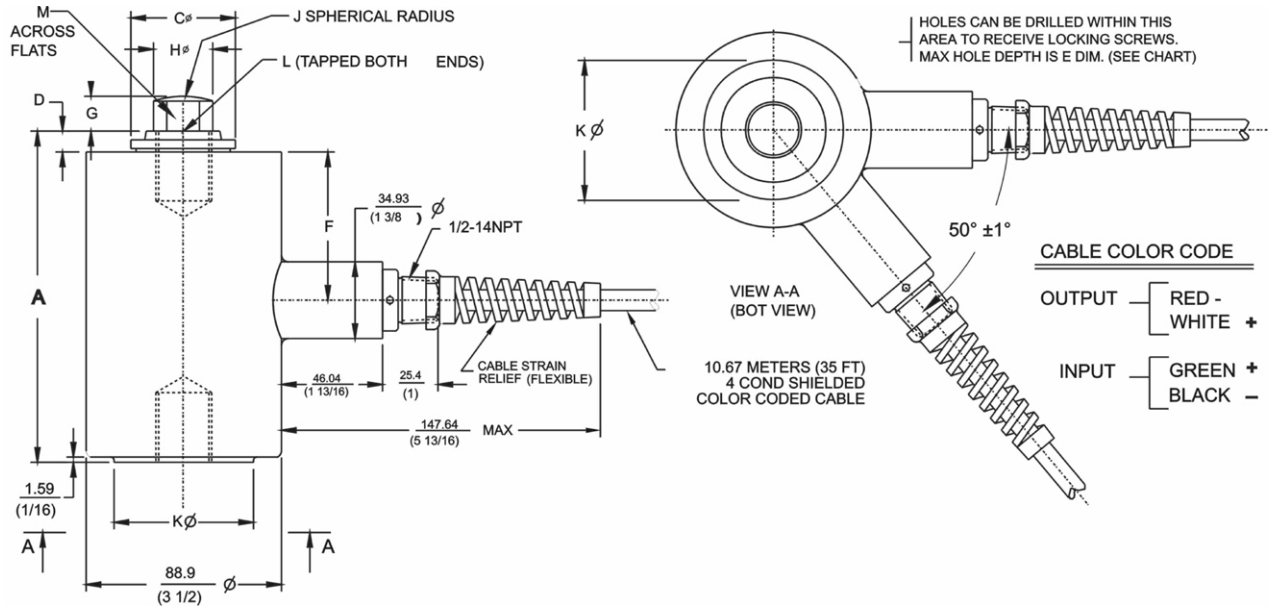
### APPLICATIONS

- Test and measurement
- Calibration standards
- Redundant weighing systems

### CONFIGURATION



### OUTLINE DIMENSIONS - DOUBLE BRIDGE - 500 TO 10K POUNDS



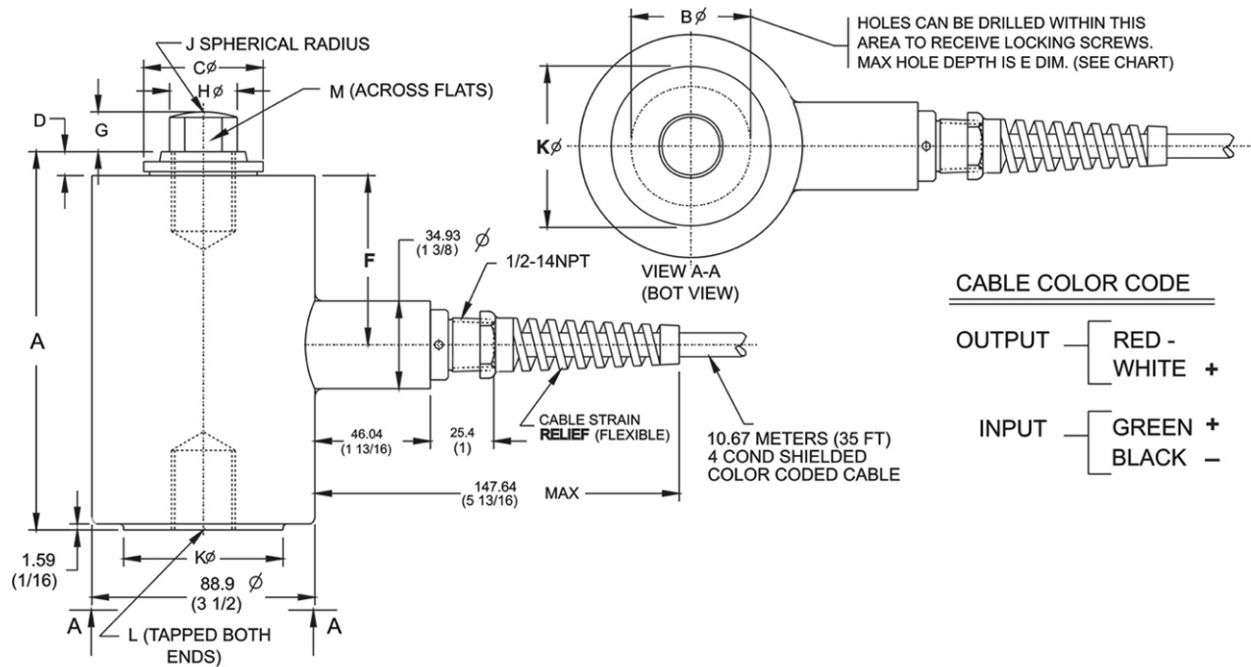
**CABLE COLOR CODE**

OUTPUT — RED - WHITE +

INPUT — GREEN + BLACK -

CAP.	KILOGRAMS (POUNDS)	A	B $\phi$	C $\phi$	D	E	F	G	H $\phi$	J	K $\phi$	L (TAPPED)	M
227 (500)	THRU 1361 (3000)	115.89 (4 9/16)	—	26.99 (1 1/16)	6.35 (1/4)	—	57.15 (2 1/4)	9.53 (3/8)	16 (5/8)	50.8 (2)	31.75 (1 1/4)	1/2-20UNF-2B X 1/2 DP	9.53 (3/8)
2268 (5000)	& 4536 (10000)	150.81 (5 15/16)	44.45 (1 3/4)	47.63 (1 7/8)	9.53 (3/8)	12.7 (1/2)	67.47 (2 21/32)	16 (5/8)	26.99 (1 1/16)	101.6 (4)	63.5 (2 1/2)	1-14UNS-2B X 1 1/4 DP	22.35 (7/8)

### OUTLINE DIMENSIONS - SINGLE BRIDGE - 500 TO 10K POUNDS



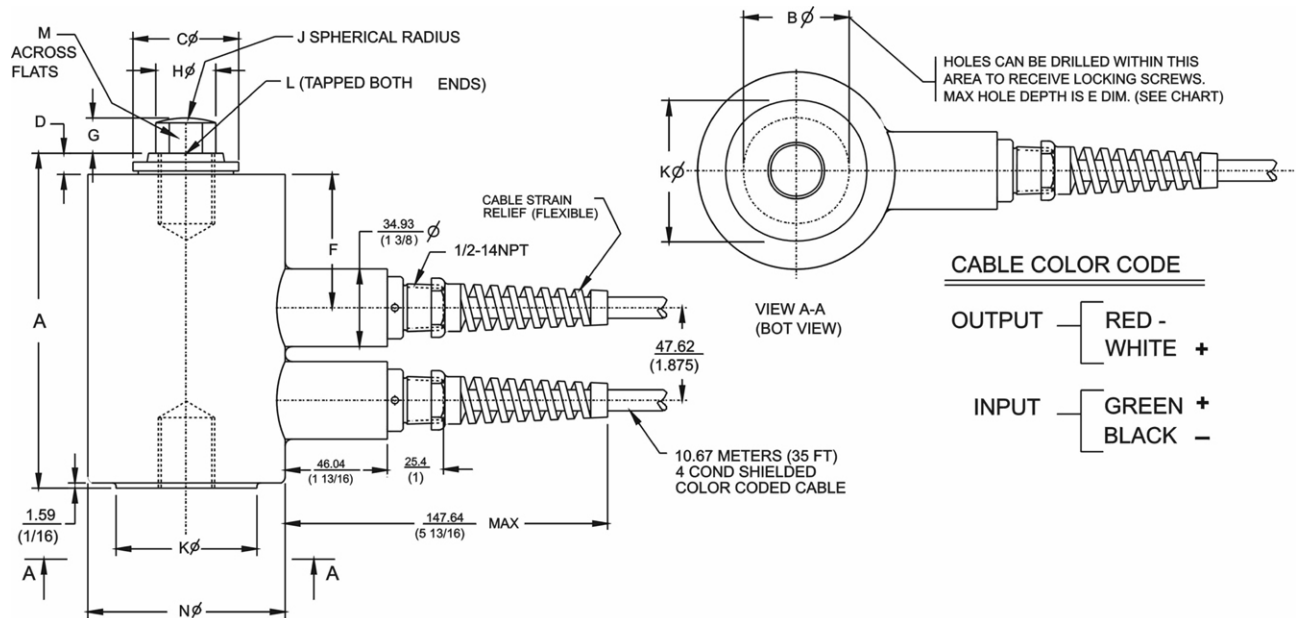
**CABLE COLOR CODE**

OUTPUT — RED - WHITE +

INPUT — GREEN + BLACK -

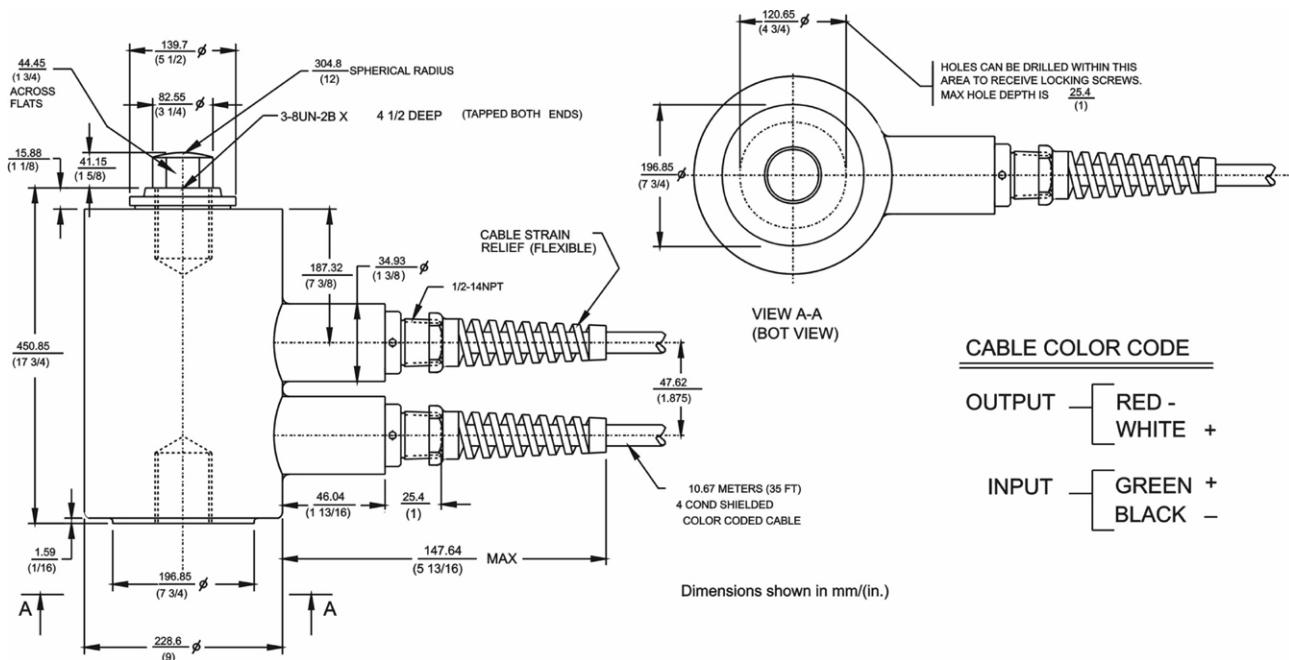
CAP.	KILOGRAMS (POUNDS)	A	B $\phi$	C $\phi$	D	E	F $\phi$	G	H $\phi$	J	K $\phi$	L (TAPPED)	M
227 (500)	THRU 1361 (3000)	115.89 (4 9/16)	—	26.99 (1 1/16)	6.35 (1/4)	—	57.15 (2 1/4)	9.53 (3/8)	16 (5/8)	50.8 (2)	31.75 (1 1/4)	1/2-20UNF-2B X 1/2 DP	9.53 (3/8)
2268 (5000)	& 4536 (10000)	150.81 (5 15/16)	44.45 (1 3/4)	47.63 (1 7/8)	9.53 (3/8)	12.7 (1/2)	67.47 (2 21/32)	16 (5/8)	26.99 (1 1/16)	101.6 (4)	63.5 (2 1/2)	1-14UNS-2B X 1 1/4 DP	22.35 (7/8)

**OUTLINE DIMENSIONS - DOUBLE BRIDGE - 20K TO 50K POUNDS**



CAP.	KILOGRAMS (POUNDS)	A	Bφ	Cφ	D	E	F	G	Hφ	J	Kφ	L (TAPPED)	M	Nφ
9072 (20,000)	THRU 13608 (30,000)	215.9 (8 1/2)	66.68 (2 5/8)	69.85 (2 3/4)	12.7 (1/2)	25.4 (1)	86.52 (3 13/32)	25.00 (63/64)	41.28 (1 5/8)	203.2 (8)	101.6 (4)	1 1/2-12UNF-2B X 1 3/4 DEEP	31.75 (1 1/4)	127.0 (5)
22680 (50,000)		290.51 (11 7/16)	95.25 (3 3/4)	101.6 (4)	15.88 (5/8)	25.4 (1)	113.50 (4 15/32)	25.00 (63/64)	57.15 (2 1/4)	203.2 (8)	146.05 (5 3/4)	2-12UN-2B X 2 1/4 DEEP	44.45 (1 3/4)	165.1 (6 1/2)

**OUTLINE DIMENSIONS - DOUBLE BRIDGE - 100K POUNDS**



### SPECIFICATIONS

#### Performance

Capacities	500, 1K, 2K, 3K, 5K, 10K, 20K, 50K, & 100K lb (227, 454, 907, 1.4K, 2.27K, 4.54K, 9K, 13.6K, 22.7K, and 45.4K kg)
Rated Output (RO)	3.0 mV/V (+/-0.10%)
Repeatability	0.02% RO
Combined Error	0.10% RO - 500 lb 0.07% RO (1K - 100K lb)
Zero Balance	1.0% RO
Creep (20 minutes)	0.03% RO
Temperature Effects:	
On Zero Balance	0.0015%RO/°F
On Rated Output	0.0008%Load/°F

#### Electrical

Recommended Excitation	10 Vac-dc
Input Resistance	350 ohms (+/-3.5)
Output Resistance	350 ohms (+/-3.5)
Cable Length	35 feet
Number of Bridges	single or double

#### Temperature

Safe Range	-30 to +175°F
Compensated Range	+30 to +130°F

#### Adverse Load Ratings

Safe Overload	150% rated capacity
Ultimate Overload	300% rated capacity

#### Material

Element	high grade tool steel
Cannister	low carbon steel, painted*

#### Sealing

Environmental Class	IP67
---------------------	------

#### Deflection

500 lb	0.007 inches
1K lb	0.006 inches
2K, 3K lb	0.005 inches
5K lb	0.007 inches
10K lb	0.005 inches
20K lb	0.007 inches
50K lb	0.010 inches
100K lb	0.013 inches

#### Approvals

FM/CSA Intrinsically Safe	Class I, II, III; Division 1, Groups A-G
FM/CSA Nonincendive	Class I, Division 2, Groups A-D

\*single component, waterborne polyurethane copolymer - high gloss.

BLH is continually seeking to improve product quality and performance. Specifications may change accordingly.

## Disclaimer

All product specifications and data are subject to change without notice.

Vishay Precision Group, Inc., its affiliates, agents, and employees, and all persons acting on its or their behalf (collectively, "Vishay Precision Group"), disclaim any and all liability for any errors, inaccuracies or incompleteness contained herein or in any other disclosure relating to any product.

Vishay Precision Group disclaims any and all liability arising out of the use or application of any product described herein or of any information provided herein to the maximum extent permitted by law. The product specifications do not expand or otherwise modify Vishay Precision Group's terms and conditions of purchase, including but not limited to the warranty expressed therein, which apply to these products.

No license, express or implied, by estoppel or otherwise, to any intellectual property rights is granted by this document or by any conduct of Vishay Precision Group.

The products shown herein are not designed for use in medical, life-saving, or life-sustaining applications unless otherwise expressly indicated. Customers using or selling Vishay Precision Group products not expressly indicated for use in such applications do so entirely at their own risk and agree to fully indemnify Vishay Precision Group for any damages arising or resulting from such use or sale. Please contact authorized Vishay Precision Group personnel to obtain written terms and conditions regarding products designed for such applications.

Product names and markings noted herein may be trademarks of their respective owners.